

300mA/125kV
MOBILE X-RAY UNIT

MXHF-1300RM



The MXHF-1300RM combines the technology is the highest performance high-frequency inverter generator, with a range of facilities usually available.

This mobile x-ray system with a maximum power of 32kW, compact and low weight.

Due to the high frequency generator and use of the latest microprocessor technique, the system keep up very high stability and accuracy for a variety of radiographic condition.

This mobile X-ray unit enables to perform radiography whenever you want in a hospital or a clinic.

300mA/125kV

MOBILE X-RAY UNIT

MXHF-1300RM



FEATURES

The MXHF-1300RM mobile unit consists of the following ;

- X-ray control console [MXCHF-1300RM] 1 Unit
- High voltage generator [MXCHF-1300RM] 1 Unit
- X-ray tube housing assembly [E7239X] 1 Unit
- Beam limiting device [MCM-901R] 1 Unit
- Mobile cart [MTM-203M] 1 Unit
- X-ray tube support [MSM-303M] 1 Unit
- High voltage cables [HVC-2.5] 1 Pair

SPECIFICATIONS

X-ray Generator

- Power Rating : 32kW
- Control Console : Digital LED display
- kV Range : 40 ~ 125 kV (1kV step)
- mA Selection : 10, 12.5, 16, 20, 25, 32, 40, 50, 63, 80
100, 125, 160, 200, 250, 320 and 400mA
- Time Range : 1msec ~ 10sec (38 steps)
- mAs Range : 0.1 - 630mAs
- APR : 216 Anatomical programs
- Self-diagnostic Function Provided
- Automatic Line Voltage Compensation : $\pm 10\%$
- Power Requirements : 200/220/240V AC, 1 ϕ , 50/60Hz.

X-ray Tube Assembly

- Maximum Rating : 125kV
- Focal Spot : Small focus - 1.0mm
Large focus - 2.0mm
- Anode Angle : 16°
- Anode Heat Dissipation : 100kJ (140kHU)
- X-ray Tube Assembly Heat Dissipation : 900kJ (1,250kHU)

Beam Limiting Device

- Maximum Rating : 150kV
- Shutter Control : Manual drive
- Illumination : More than 160 lux
- Rotation of Radiation Field : $\pm 180^\circ$
- Power Supply : 24V AC, 7A

Moving Range of the X-ray Tube

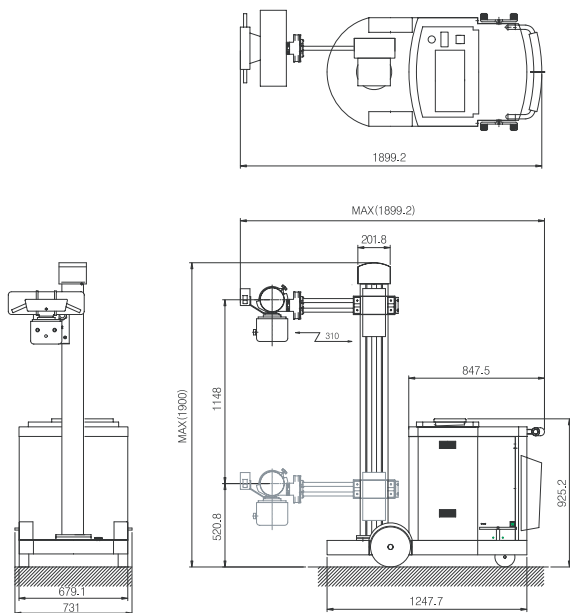
- Vertical Travel from Source to Floor Level :
Approx. 521 to 1,667mm
- Lateral Travel Range : 310mm
- Horizontal Rotation of Vertical Column : $\pm 180^\circ$
- Dimensions : Approx. 731W X 1,247L X 1,900H mm
- Weight : Approx. 250kg

Power Storage Unit (PSU)

Power storage unit with batteries allows generator at 32kW from standard nominal 200 ~ 240V AC, 50/60Hz., 7Amp. outlets

DIMENSIONS

Unit : mm



※ Specifications, designs and/or accessories listed in the catalog are subject to change without notice.